

ARCHIMEDE

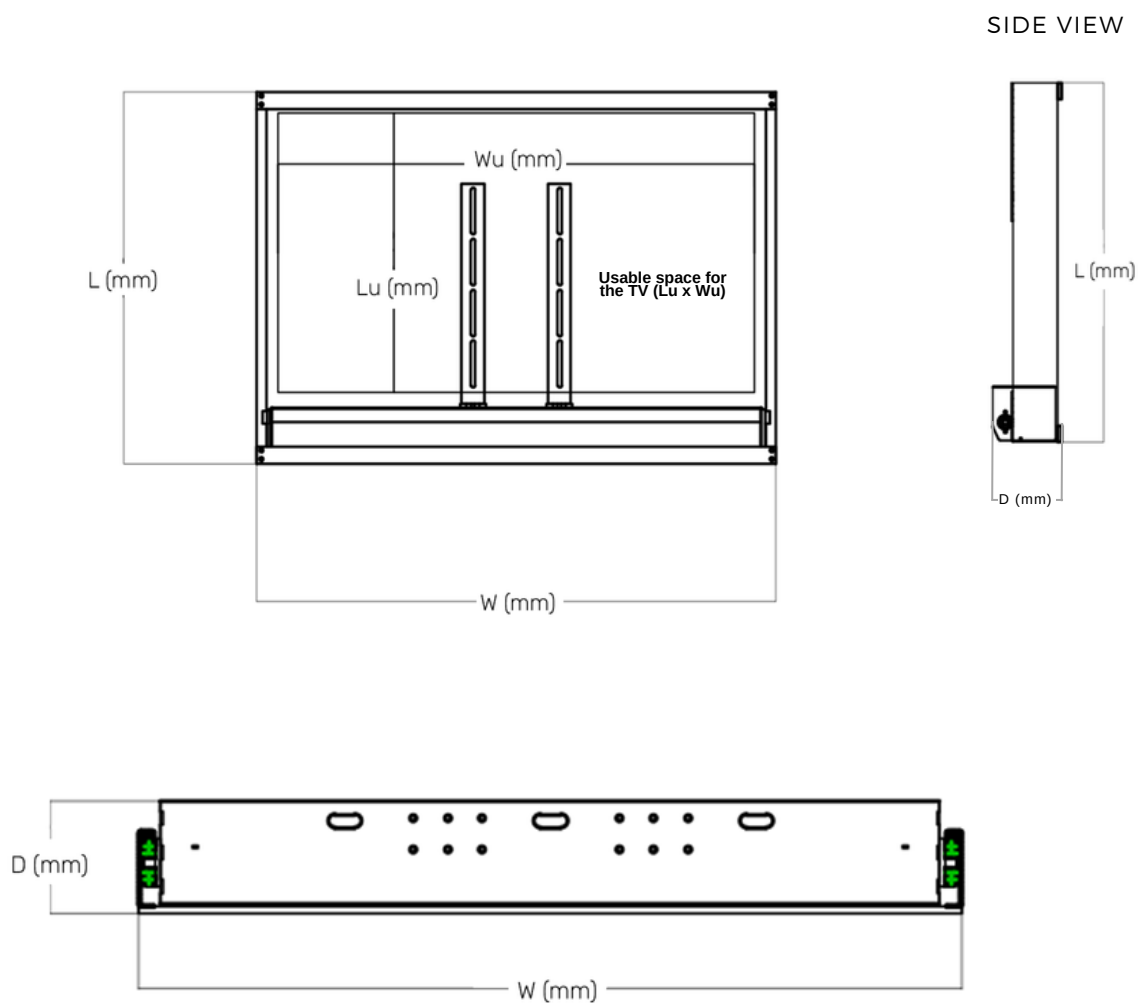
TECHNICAL SHEET



INTRODUCING A MOTORIZED TV LIFT SYSTEM, EQUIPPED WITH A MECHANISM CAPABLE OF BOTH **ELEVATING AND LOWERING** THE TELEVISION. THIS PRODUCT IS **SEAMLESSLY INTEGRATED WITHIN FURNITURE**, OFFERING A TIDY AND SOPHISTICATED LOOK.

YOU HAVE THE FLEXIBILITY TO CHOOSE THE **CONFIGURATION OF THE MECHANISM'S LID** ACCORDING TO YOUR PREFERENCE:

OPTION 1. THE LID CAN BE AFFIXED TO THE TV



DIMENSIONS:

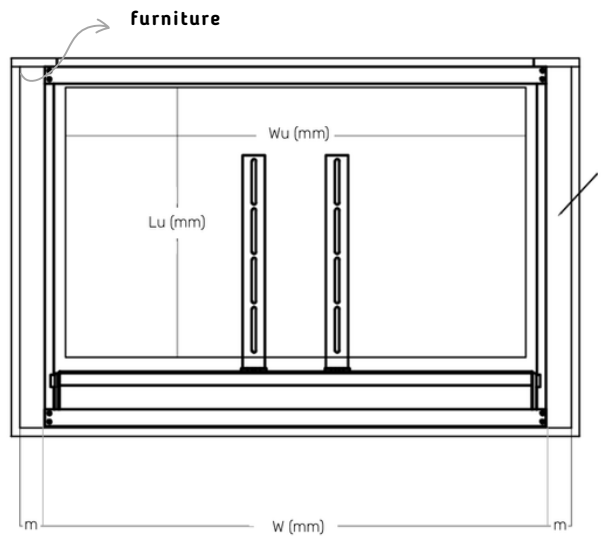
Model	TV	Width (mm)	Length (mm)	Depth (mm)	Attack (VESA)	Usable space (Lu x Wu) mm
Arc 90	32"	900	650	165	75-100-200	750x445
Arc 100	37"	1000	730	165	100-200-300	860x520
Arc 110	40"-43"	1100	780	165	100-200-300	970x570
Arc 120	48"-50"	1200	860	165	200-300-400	1130x668
Arc 130		1300	880	165	200-300-400	1200x650
Arc 140	55"	1400	930	165	200-300-400	1250x720
Arc 150	60"	1500	1020	165	200-300-400	1365x790
Arc 160	65"	1600	1080	165	200-300-400	1455x840
Arc 170	70"	1700	1220	165	300-400-600	1570x930
Arc 180	75"	1800	1220	165	300-400-600	1685x985
Arc 190	77"	1900	1250	165	300-400-600	1760x1020
Arc 200	80"	2000	1330	165	300-400-600	1852x1095
Arc 210	88"	2100	1360	165	300-400-600	1965x1135

OPTION 2. YOU CAN OPT FOR A MOTORIZED LID.

WIDTH OF THE FURNITURE

If you intend to create the furniture featuring **motorized lids**, be sure to **allocate an additional 60mm of clearance on either side** of the mechanism to accommodate its motors.

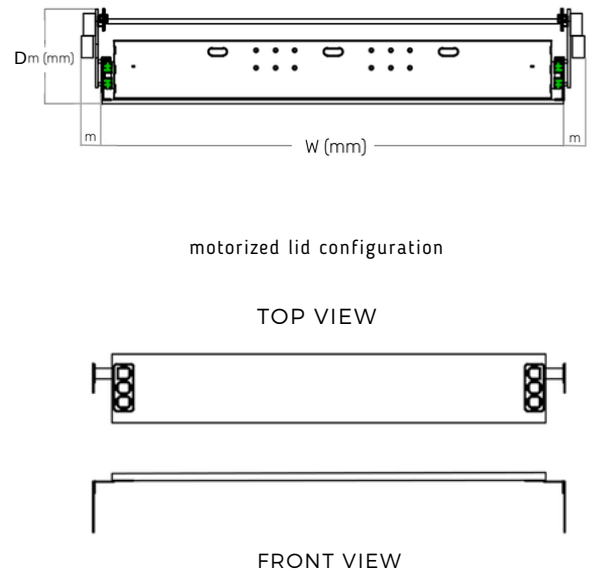
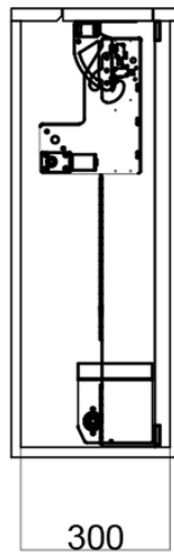
$$m = 60 \text{ mm}$$



DEPTH OF THE FURNITURE

Attention all furniture manufacturers! If you intend to incorporate **motorized lids** into your designs, ensure **ample space within the furniture** to accommodate the motors, with a **minimum of 300 mm** of cavity space.

$$D_m = D + \text{motor}$$



THE KIT COMPRISES OF THE FOLLOWING **COMPONENTS**:

- > n.1 Tv lift mechanism up and down
- > n.1 Control board 24V
- > n.1 Brackets with holes and adjustable holes for fixing the tv screen
- > n.1 Wireless remote control
- > n.1 Power supply 110-240 50/60Hz - 24V

ATTENTION

THE LID MUST BE MADE WITH **LIGHTWEIGHT MATERIALS**

WEIGHT MAX 7KG