

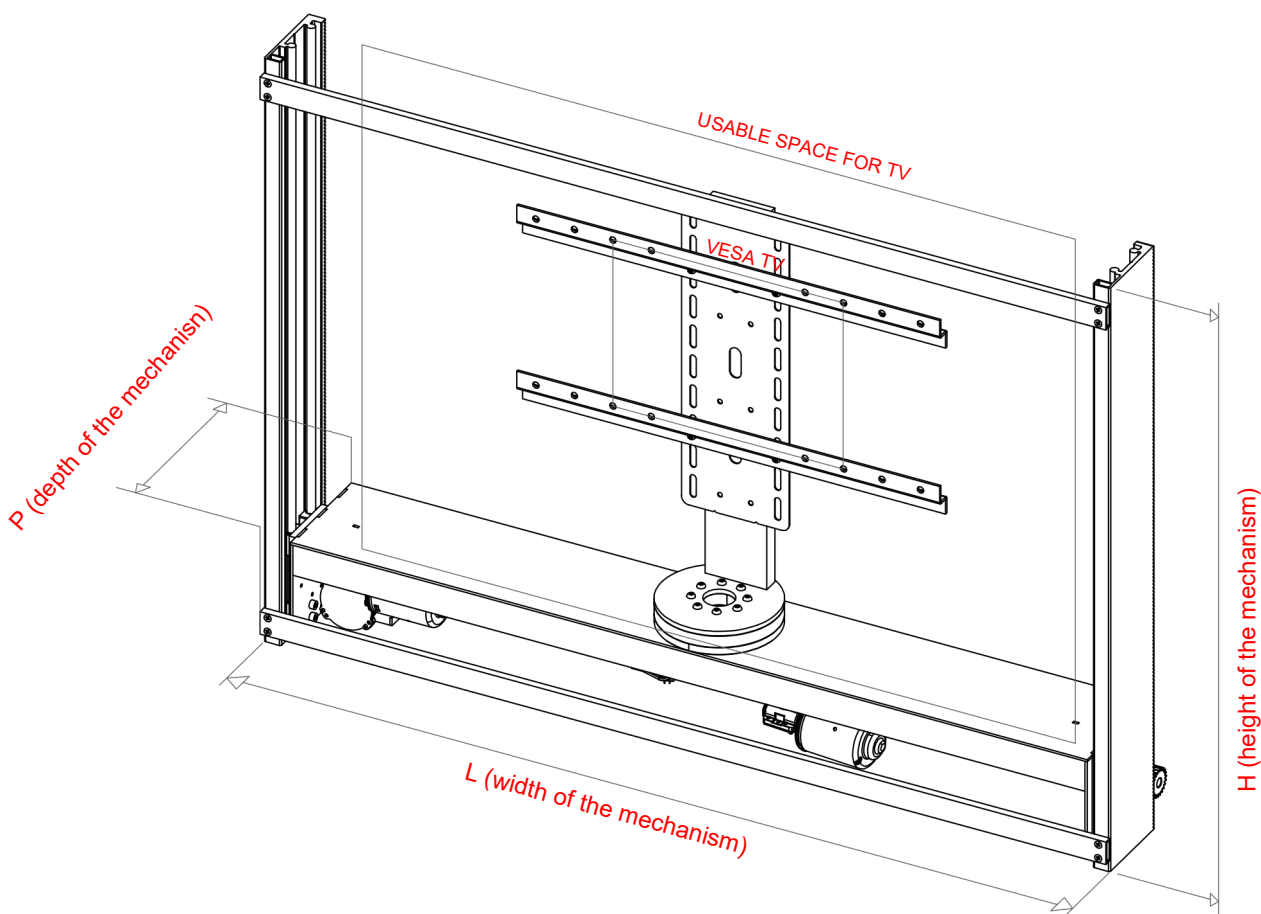
ARCHIMEDE ROTOR

TECHNICAL SHEET



ARCHIMEDE ROTOR IS AN INNOVATIVE MECHANISM CAPABLE OF LIFTING AND ROTATING THE TV UP TO 350°, OFFERING A VERSATILE VIEWING EXPERIENCE.

This product integrates seamlessly into furniture or compartments, hiding the TV when not in use and allowing it to be raised in an **up/down motion** with subsequent **rotation up to 350 degrees**, providing the ability to enjoy the view from multiple angles.

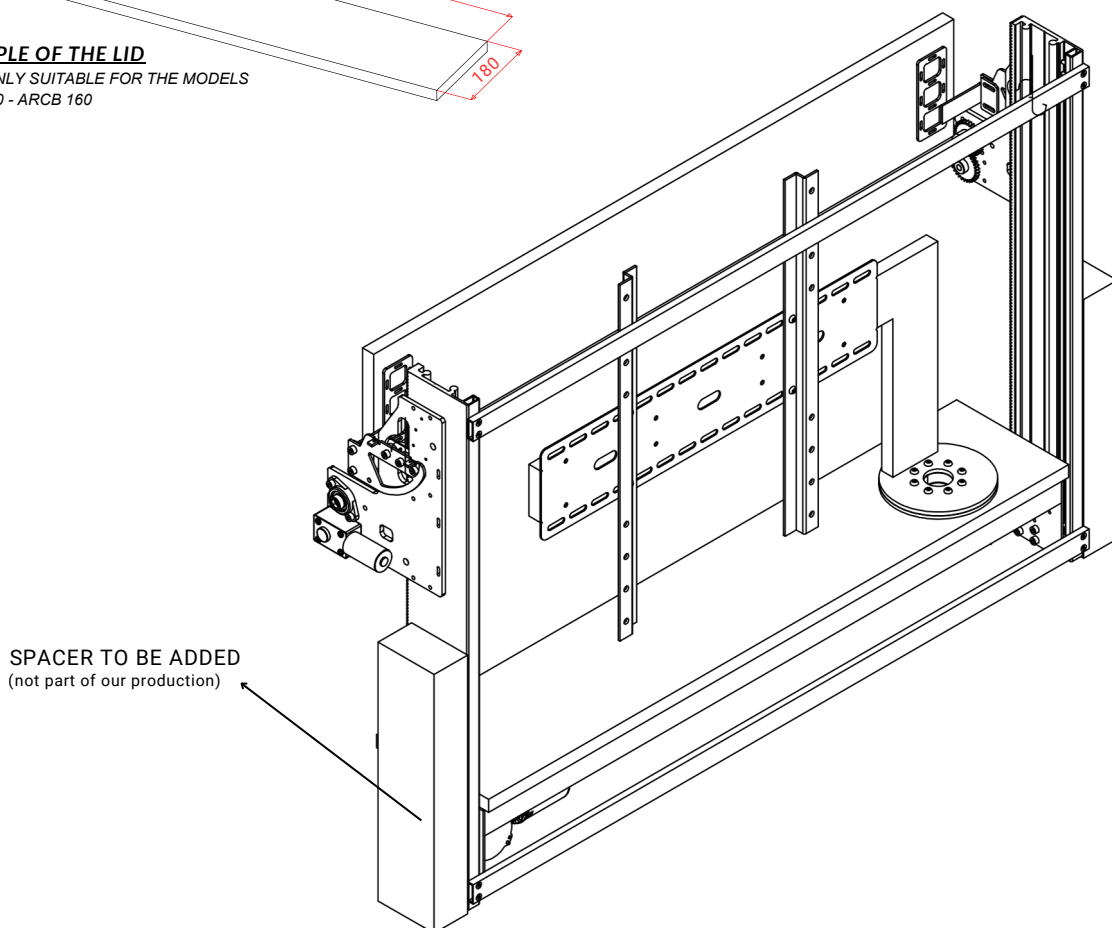
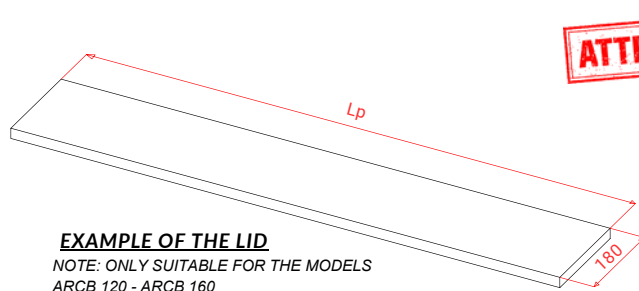
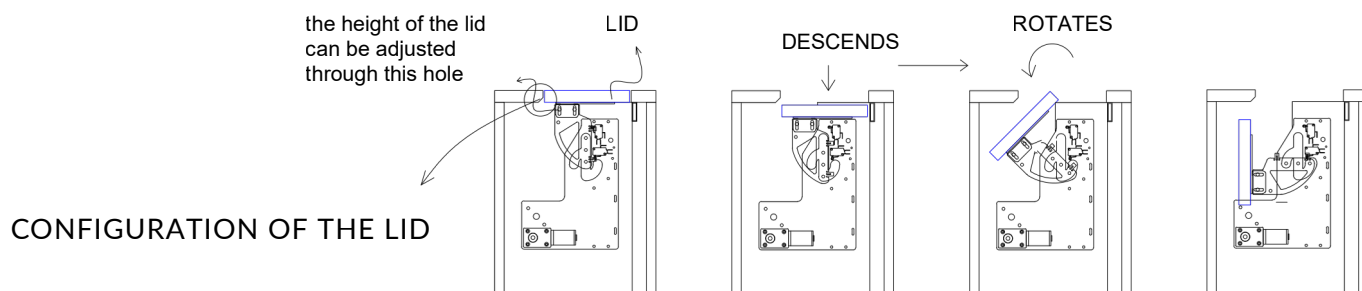


MEASUREMENTS:

MODELLO	TV	WIDTH (mm)	HEIGHT (mm)	DEPTH (mm)	VESA	USABLE SPACE (mm)
ARC R 120	49"	1200	860	175	200-300-400	1130x645
ARC R 130	50"	1300	880	175	200-300-400	1200x650
ARC R 140	55"	1400	930	175	200-300-400	1250x720
ARC R 150	60"	1500	1020	175	200-300-400	1636x790
ARC R 160	65"	1600	1080	175	200-300-400	1455x840

**more options available*

OPTION: MOTORIZED LID

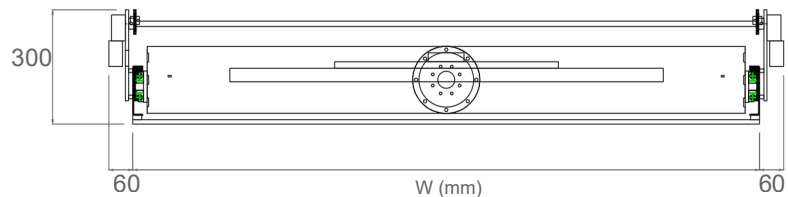
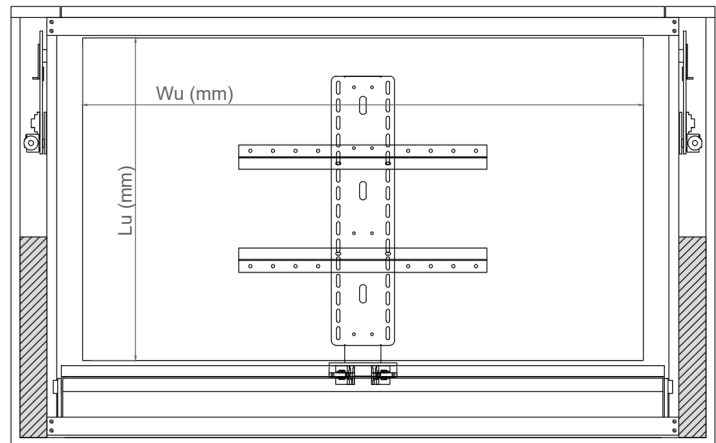


The spacers serve to fill the gap created between the inner side of the furniture and the mechanism. Without them, the guides could deform, compromising the proper functioning of the system

WIDTH OF THE FURNITURE

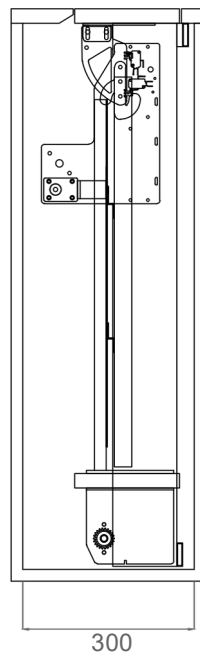
When designing the furniture featuring **motorized lid**, be sure to **allocate an additional 60mm of clearance on either side** of the mechanism to accommodate its motors.

m = 60 mm



DEPTH OF THE FURNITURE

Pay attention to increasing the internal depth of the cabinet to 300mm with the motorized door to allow accommodation of the components.



The kit includes:

- 1pc. lift-and-rotate mechanism (up to 350°)
- 1pc. 24V control unit
- 1pc. remote control
- 1pc. stabilized power supply, 110/240V – 50/60Hz