

# ARCHIMEDE FLAG

TECHNICAL SHEET



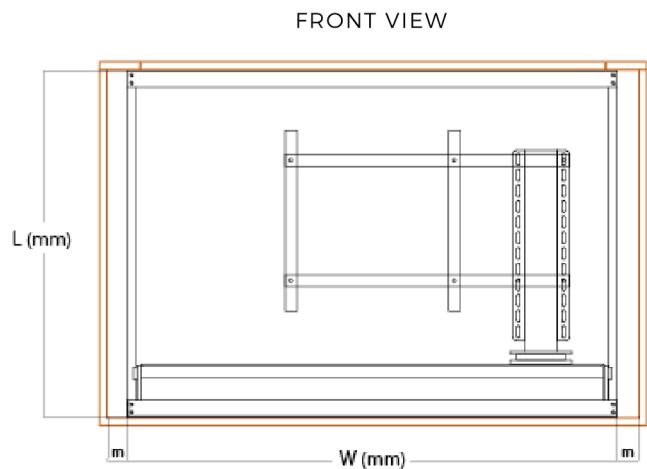
INTRODUCING A MOTORIZED TV LIFT SYSTEM IN ADDITION TO THE MAIN FEATURES OF THE ARCHIMEDE, THIS MODEL HAS THE ABILITY TO **ROTATE UP TO 90°** IN EITHER CLOCKWISE OR COUNTER CLOCKWISE DIRECTION.

THE SUGGESTED **CONFIGURATION OF THE MECHANISM'S LID IS MOTORIZED.**

### WIDTH OF THE FURNITURE

When designing the furniture featuring **motorized lids**, be sure to **allocate an additional 60mm of clearance on either side** of the mechanism to accommodate its motors.

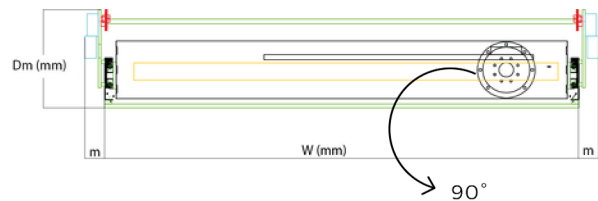
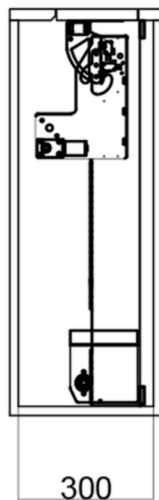
$$m = 60 \text{ mm}$$



### DEPTH OF THE FURNITURE

Attention all furniture manufacturers! Incorporating **motorized lids** into your designs, ensure **ample space within the furniture** to accommodate the motors, with a **minimum of 300 mm** of cavity space.

$$D_m = D + \text{motor}$$



motorized lid configuration

TOP VIEW



FRONT VIEW



THE LID MUST BE MADE WITH **LIGHTWEIGHT MATERIALS**

**WEIGHT MAX 7KG**

## DIMENSIONS:

Model	TV	Width (mm)	Length (mm)	Depth (mm)	Attack (VESA)	Usable space (Lu x Wu ) mm
Arc 120 B	48"-50"	1200	860	175	200-300-400	1130x668
Arc 130 B		1300	880	175	200-300-400	1200x650
Arc 140 B	55"	1400	930	175	200-300-400	1250x720
Arc 150 B	60"	1500	1020	175	200-300-400	1365x790
Arc 160 B	65"	1600	1080	175	200-300-400	1455x840

### THE KIT COMPRISES OF THE FOLLOWING **COMPONENTS**:

- > n.1 Tv lift mechanism up and down, rotation up to 90°
- > n.1 Control board 24V
- > n.1 Brackets with holes and adjustable holes for fixing the tv screen
- > n.1 Wireless remote control
- > n.1 Power supply 110-240 50/60Hz - 24V